

# Amphenol®



## HELIOS H4

Amphenol® Industrial Operations (AIO) offers products and solutions for all segments of the solar electric system. AIO understands the need for efficient (low loss) power transfer, highly reliable, and cost effective solutions that are required to be competitive in this industry. We can provide panel manufacturers, installers, and OEM's with connectivity products for both thin film and crystalline silicon technologies. Amphenol® has a broad range of technologies to help minimize the cost of inverters and power conditioners. Amphenol® Industrial can help you power the planet with the sun. The Helios H4 connector is just one of the solar connector solutions Amphenol® Industrial has to offer.

### H4 Features:

- Fully intermateable with industry standard
- Meets all new NEC 2008 requirements
- Quick and easy secure snap lock mating
- Simple unlocking tool meets NEC requirements
- Long-term UV and Ozone resistance
- Highest current rating in industry, rated at 40 Amps
- TUV "Touch-Proof" Design
- RoHS compliant
- Complete Cable Assemblies available
- Low contact resistance means low loss
- Engineered to meet UL, TUV, IEC/CEI, NEC, and DIN V
- Waterproof IP67
- Ready for field assembly
- No assembly required, no small parts to lose
- Ratcheting Cap prevents unwanted loosening



# Solar Connector

## Technical Specifications

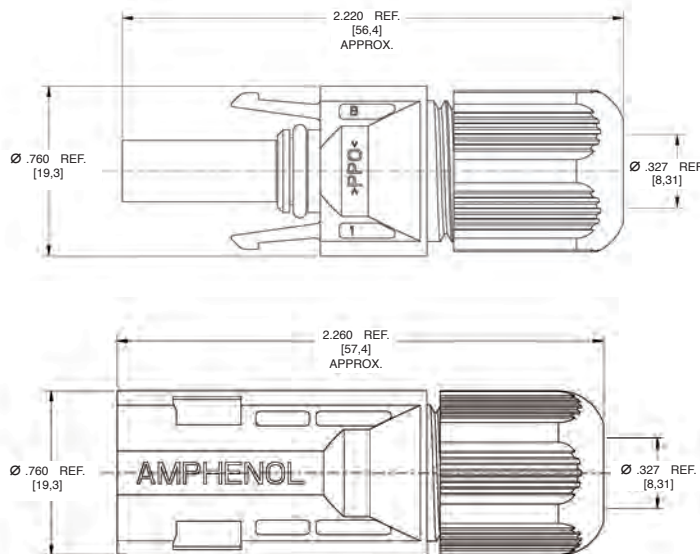
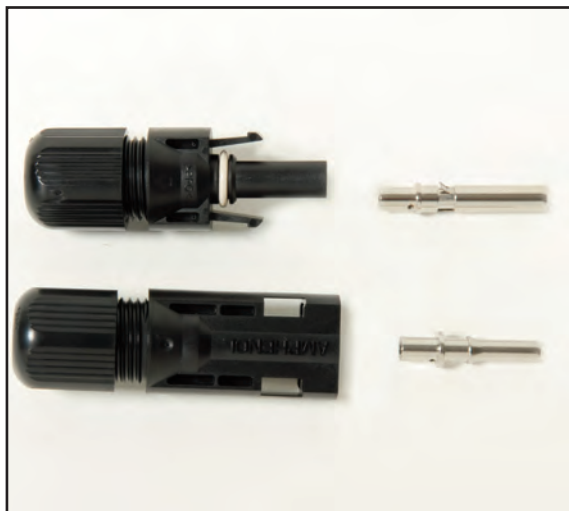
### Technical Data

Rated current	40 Amps
Rated voltage	1000V (IEC/CEI) 600V (UL)
Test voltage	6kV (50Hz, 1min.)
Typical contact resistance	≤0.5mΩ
Contact material	copper, nickel plated
Insulation material	PPO
Contact diameter	4mm
Locking system	snap-lock, special unlock tool required to un-mate
Degree of protection, mated	IP67
Degree of protection, unmated	IP2X
Flamability class	UL94-V0
Cable strain relief according to	DIN V VDE 0126-3
Ambient temperature range	-40°C...+90°C (IEC/CEI)
Operating temperature	-40°C +105°C
Contact system	Amphenol RADSOK®, machined / cold formed contact with lamellar contact grid/ barrel crimp

### Ordering Information

Part No.	Description	Cable range
PV-080508-000	H4 Cable Connector, Mated Pair	4mm <sup>2</sup> /12AWG
PV-080508-F	H4 Cable Connector, Female Half	4mm <sup>2</sup> /12AWG
PV-080508-M	H4 Cable Connector, Male Half	4mm <sup>2</sup> /12AWG

2.5mm<sup>2</sup>/ 14AWG and 6mm<sup>2</sup>/ 10AWG available soon



Notice: Specifications are subject to change without notice. Contact your nearest Amphenol Corporation Sales Office for the latest specifications. All statements, information and data given herein are believed to be accurate and reliable but are presented without guarantee, warranty, or responsibility of any kind, expressed or implied. Statements of suggestions concerning possible use of our products are made without representation or warranty that any such use is free of patent infringement and are not recommendations to infringe any patent. The user should assume that all safety measures are indicated or that other measures may not be required. Specifications are typical and may not apply to all connectors.

For further information on your individual application requirements, contact: Amphenol Corporation

North America:  
Amphenol Industrial Operations  
180 N. Freeport Drive, Plant 4  
Nogales, AZ 85621  
Tel: (520) 285-5130  
Fax: (520) 285-5134

Europe:  
Amphenol Industrial Operations Europe  
Via Barbaiana 5  
1-20020 Lainate (MI) Italy  
Tel: +39 02 93254.204  
Fax: +39 02 93254.444

Middle East:  
Amphenol Middle East Enterprises FZE  
Office C-37 PO Box 21107  
Ajman Free Zone, UAE  
Tel: +9716-7422494  
Fax: +9716-7422941  
Email: ameeffe@eim.ae

Asia:  
Amphenol Technology Shenzhen Ltd  
Block 5 Fuan 2nd Industrial Park  
Dayang Rd, Fuyong Baoan  
Baoan, Shenzhen, China 518103  
Tel: +86 755 2881 8389  
Fax: +86 755 2991 8310  
Email: yb.zhu@amphenol-industrial.com

Email: rpedrazzini@amphenol-aio.com

Email: info@amphenol-aio.com