



## Texas Instruments DSK to USB 2.0 Daughtercard

Add new communication functionality to your Texas Instruments DSP Starter Kit (DSK) with the Avnet Design Services DSK to USB 2.0 daughtercard. To accelerate the application design process from concept through production, the daughter board provides flexibility to evaluate TI C5000 and C6000 DSP platforms in combination with a USB 2.0 data interface. In addition, AvBus connectivity provides an interface to a wide range of FPGA/CPLD evaluation boards available from Avnet Design Services.

### Features:

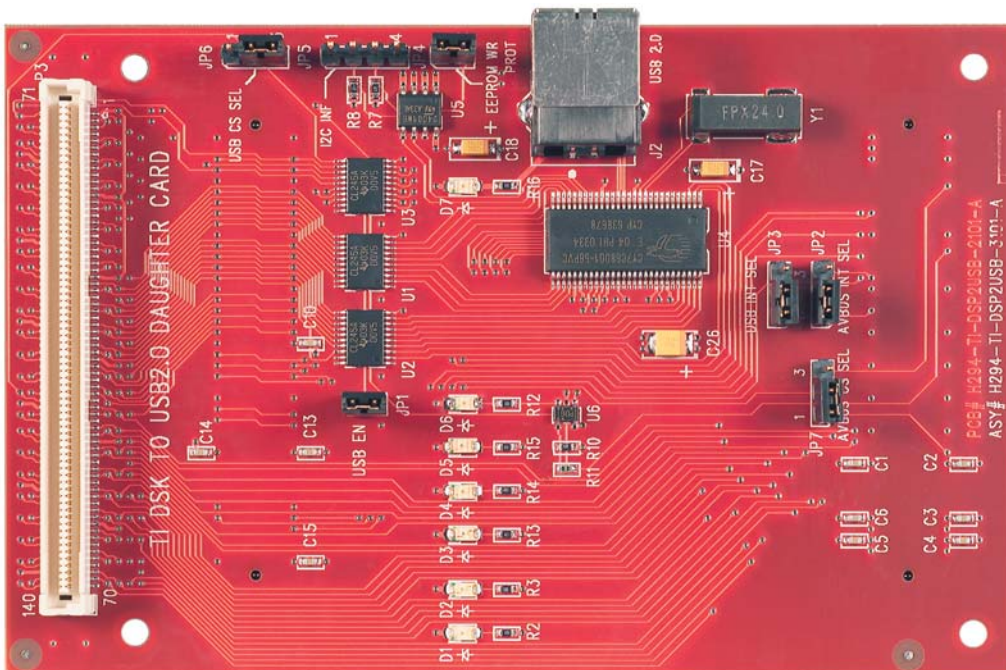
- ▲ Cypress CY7C68001 USB 2.0 controller
- ▲ Compatible with TI C5000 and C6000 DSKs
- ▲ USB 2.0 data interface (up to 480 Mbps)
- ▲ Example code included
- ▲ High-speed DSP to FPGA interface
- ▲ AvBus daughtercard compatible

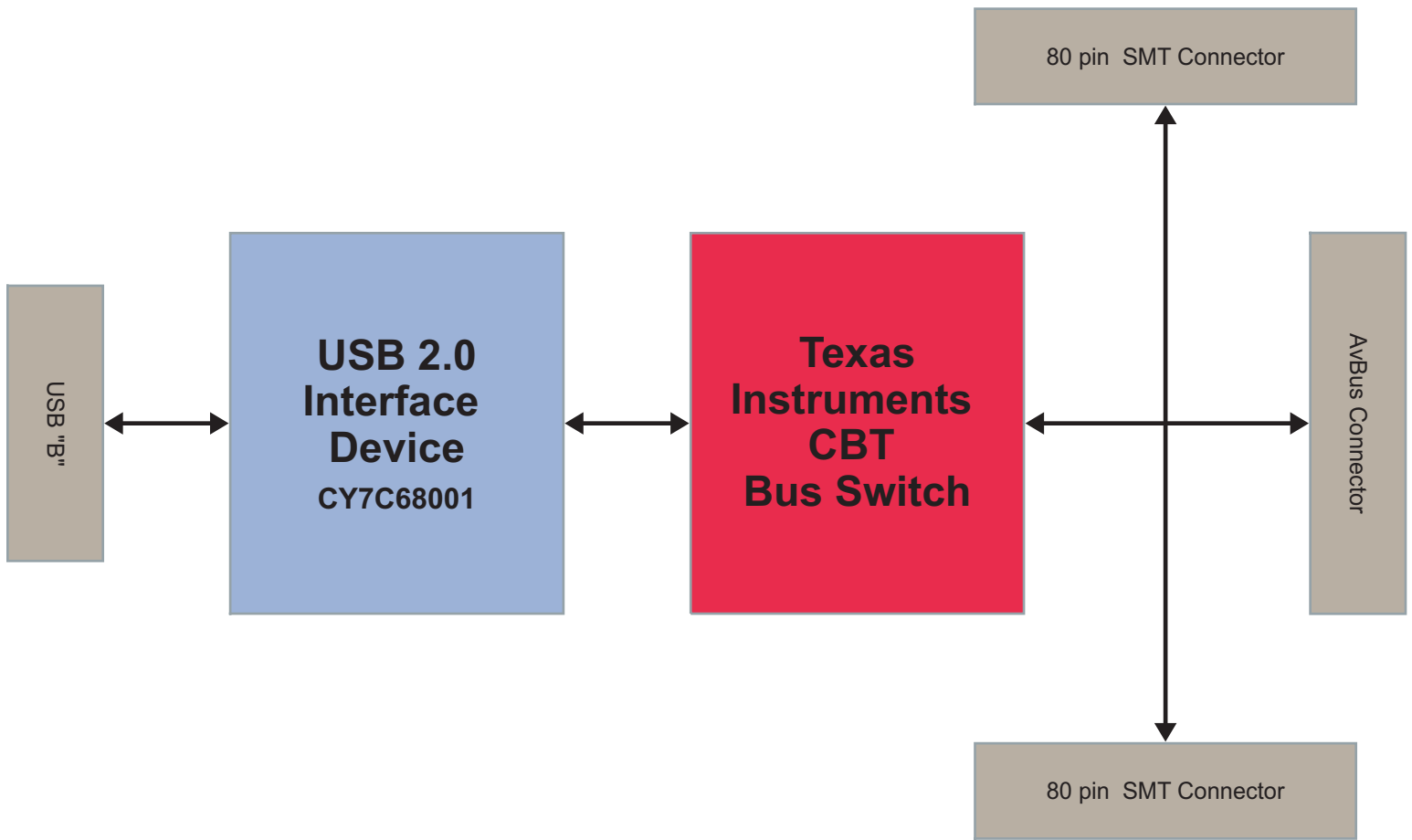
### Target Applications:

- ▲ Data acquisition systems
- ▲ High-speed communication systems
- ▲ Volume data transfers

### The Texas Instruments DSK to USB 2.0 Daughtercard includes:

- USB 2.0 DSK Daughtercard
  - Bill of materials
  - Schematics
- Example interface code (Runs on PC)
  - Example control code for USB 2.0 device (Runs on DSK)
  - Gerber files





**Supporting suppliers:**



**Ordering Information:**

Part Number	Hardware	Resale
ADS-TI-USB-DAU	Texas Instruments DSK to USB 2.0 Daughtercard	\$99.00 USD

**Contact Information:**

<b>North America</b> 2211 South 47th St. Phoenix, Arizona 85034 United States Tel: +1 800 585 1602	<b>Europe</b> Gruber Str. 60 85586 Poing Germany Tel: +49 (0) 8121 777279	<b>Asia</b> 7 Changi South St. 2 #01-00 Singapore, 486415 Tel: +6580 6000
--	---	---

[www.ads.avnet.com](http://www.ads.avnet.com)

